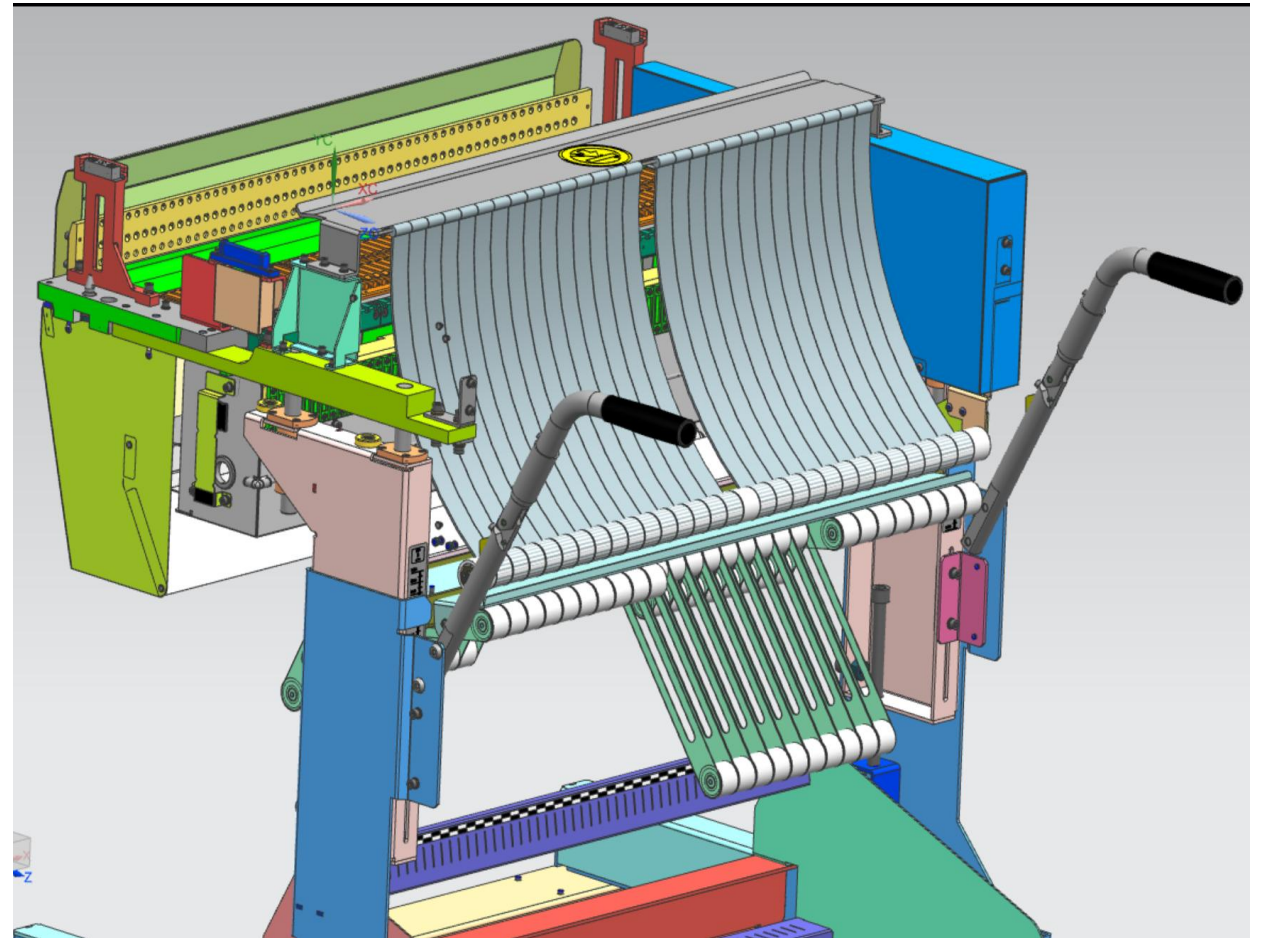
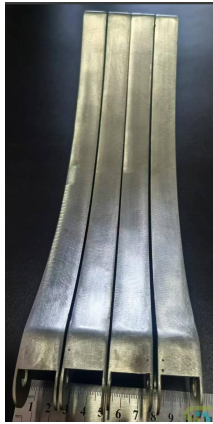
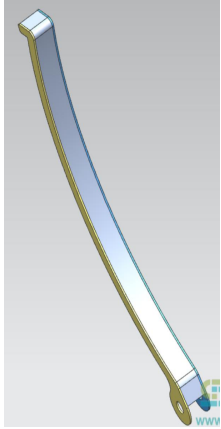


Safety regulation NR-12 in Brazil:

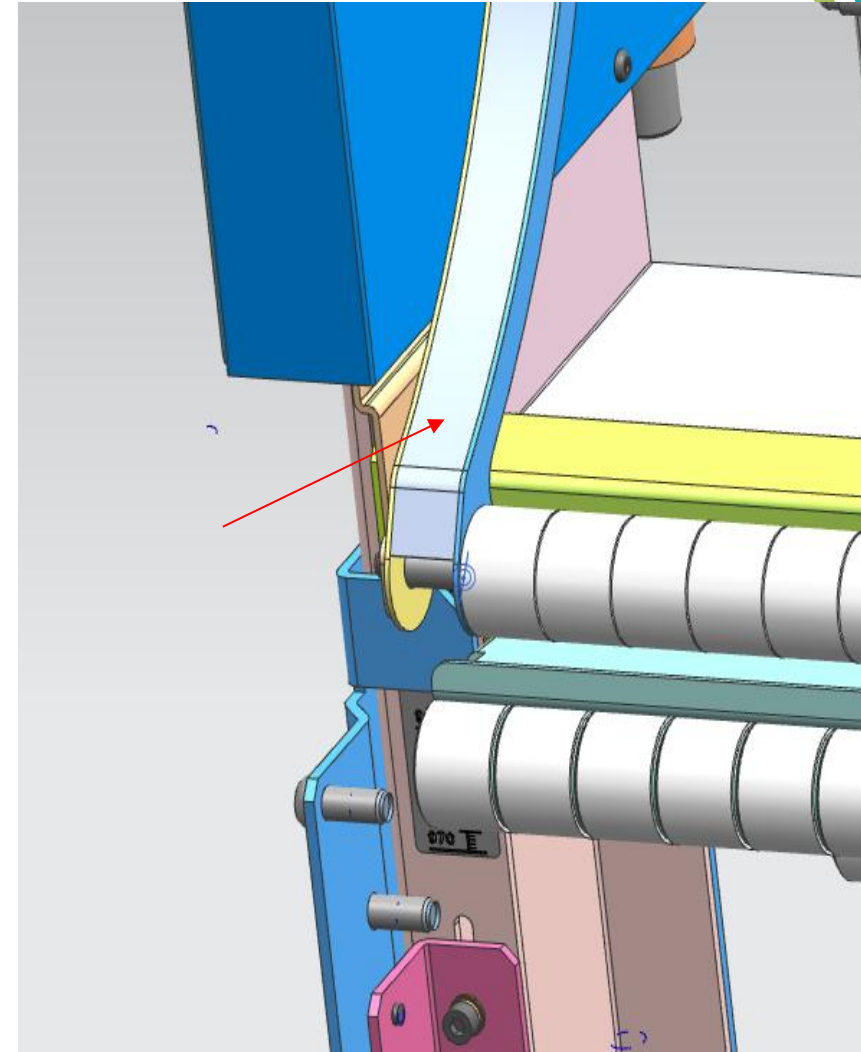
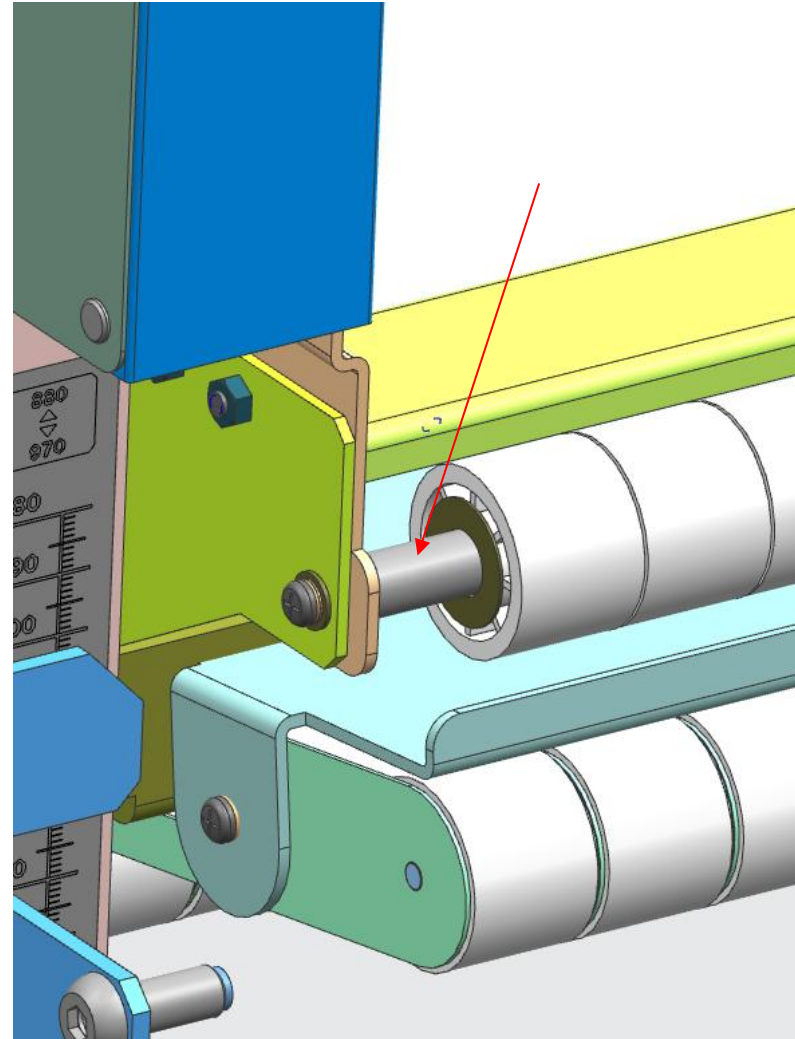
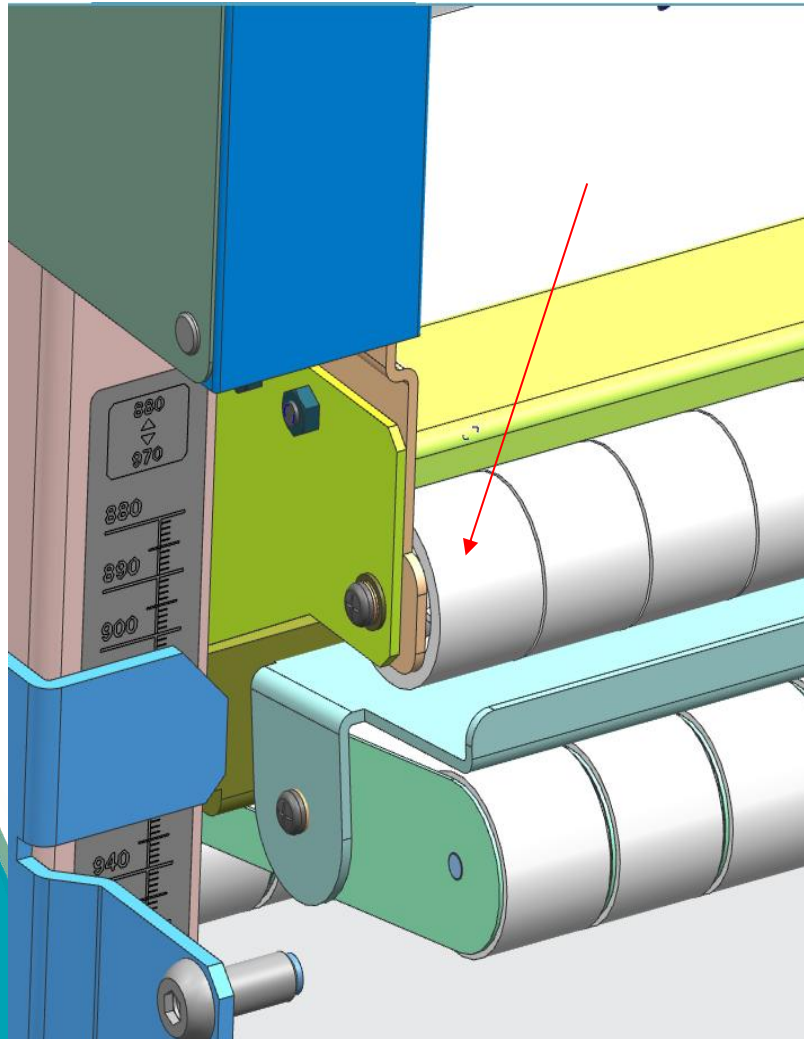
SMT feeder bank must to have safety guard to avoid operator to put the hand inside of the machine.



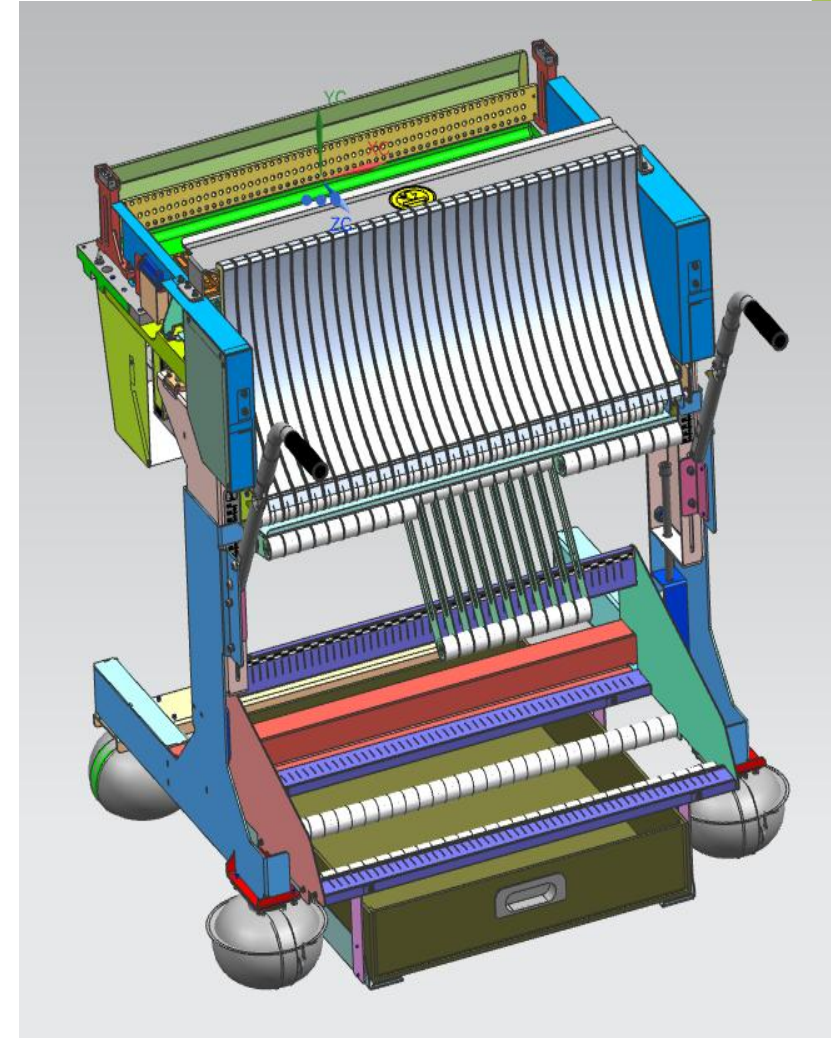
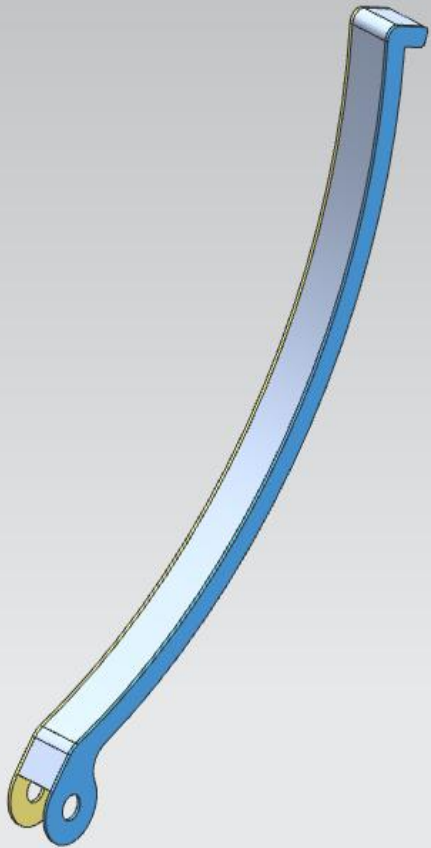
Install a safety gate finger on the RS-1 machine



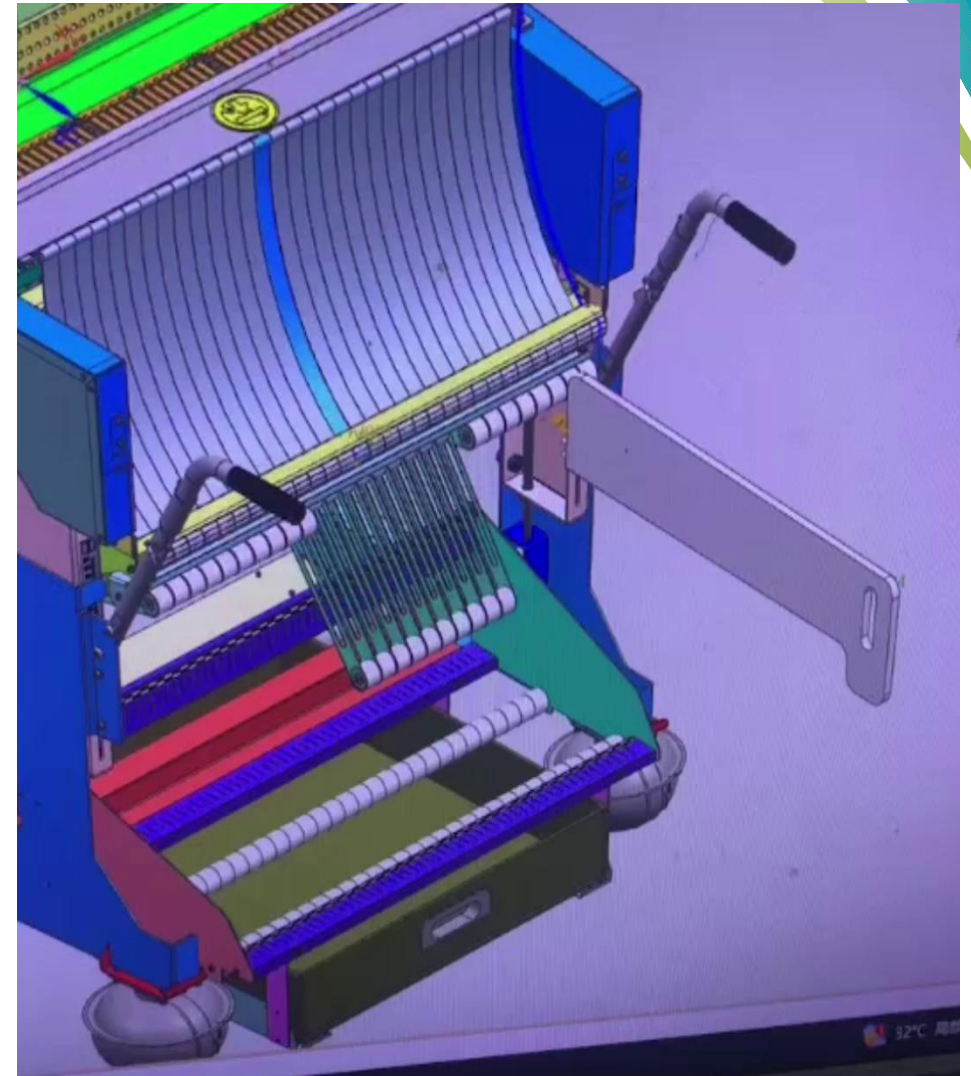
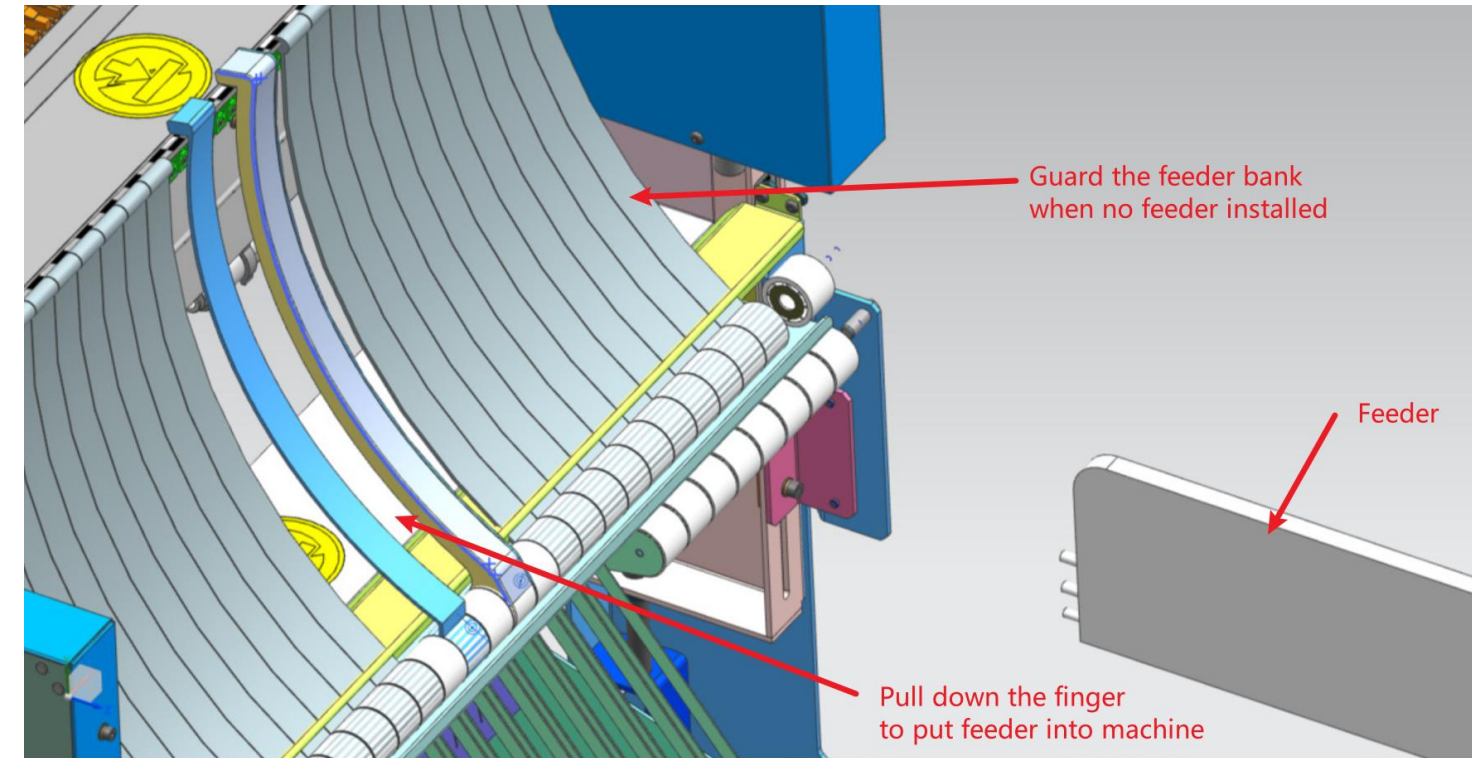
Install a safety gate finger on the RS-1 machine



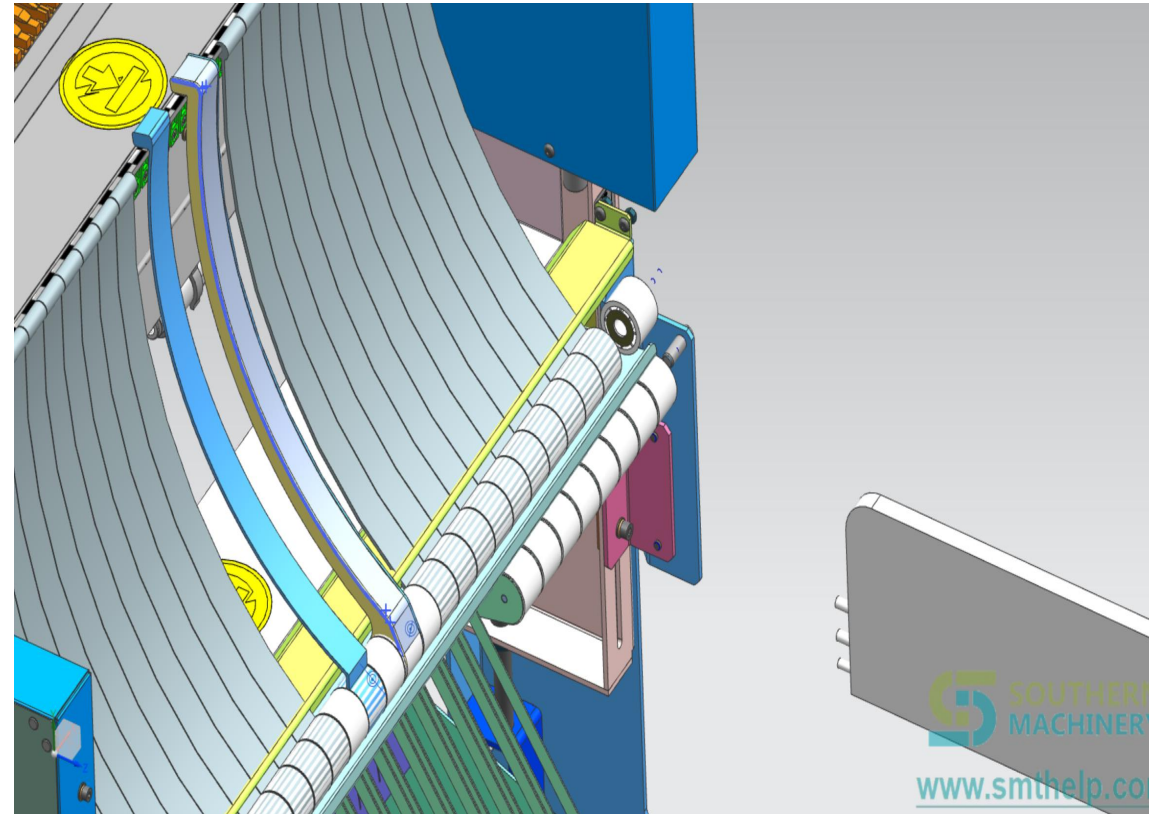
Install a safety gate finger on the RS-1 machine



How to use safety gate finger on the RS-1 machine

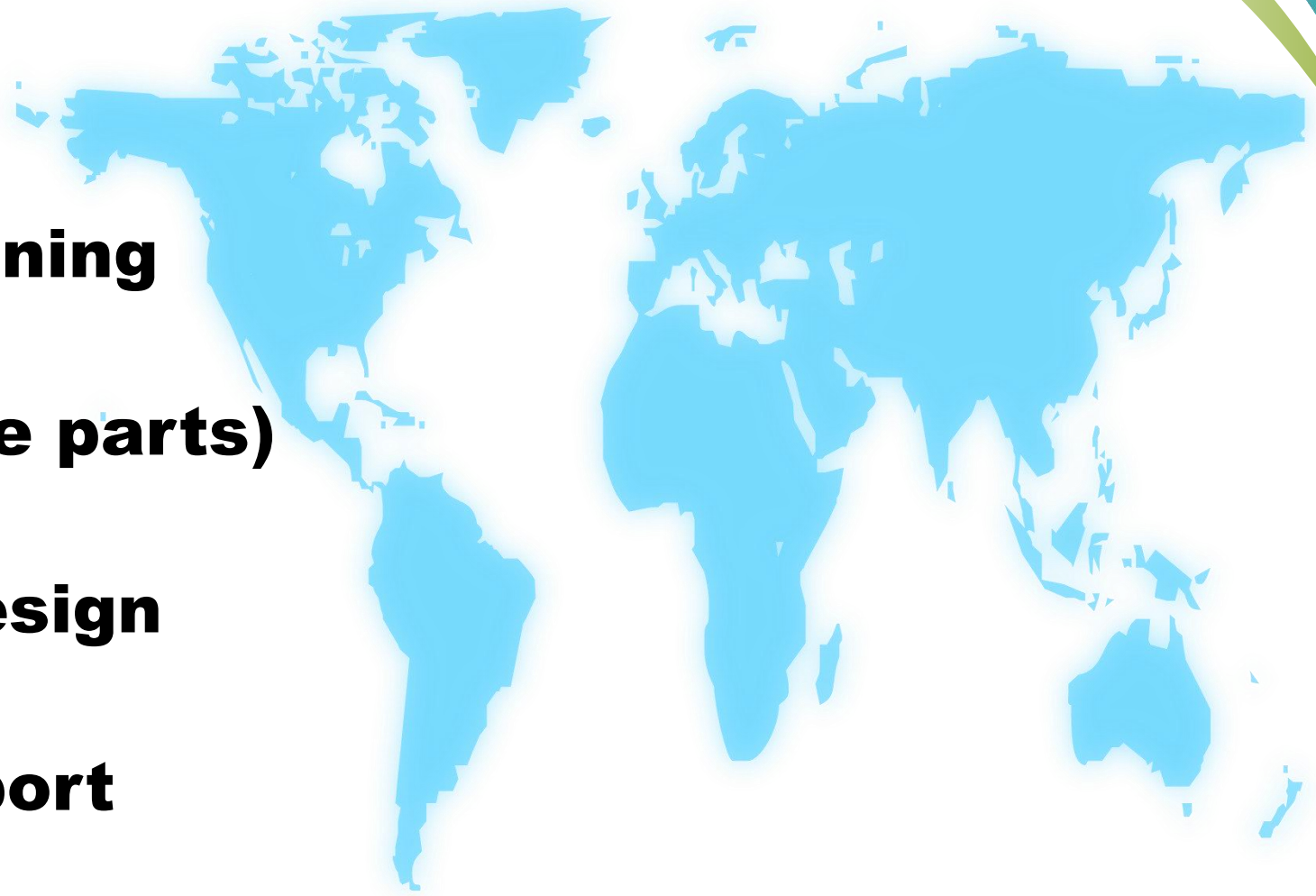


- Enhances operator safety
- Maintains machine productivity
- Retrofittable to existing RS-1 machines
- Allows quick access for feeder changes/maintenance
- Does not interfere with normal machine operation



Best After-sales service

- **Free Installation/ Training**
- **1 day lead-time (spare parts)**
- **5 days customized design**
- **7x24 Worldwide Support**



Welcome Inquiry

Please visit

www.smthelp.com

Find us more

<https://www.facebook.com/autoinsertion>

Know more our team

<https://www.linkedin.com/company/smtmachine>

Welcome to our factory in Shenzhen China

See more our machine please Google

[Auto Insertion](#)

Youtube

<https://www.youtube.com/c/Smthelping>

Looking forward to your email

info@smthelp.com